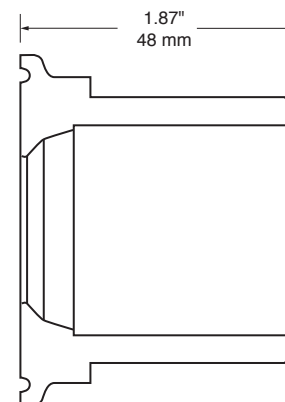
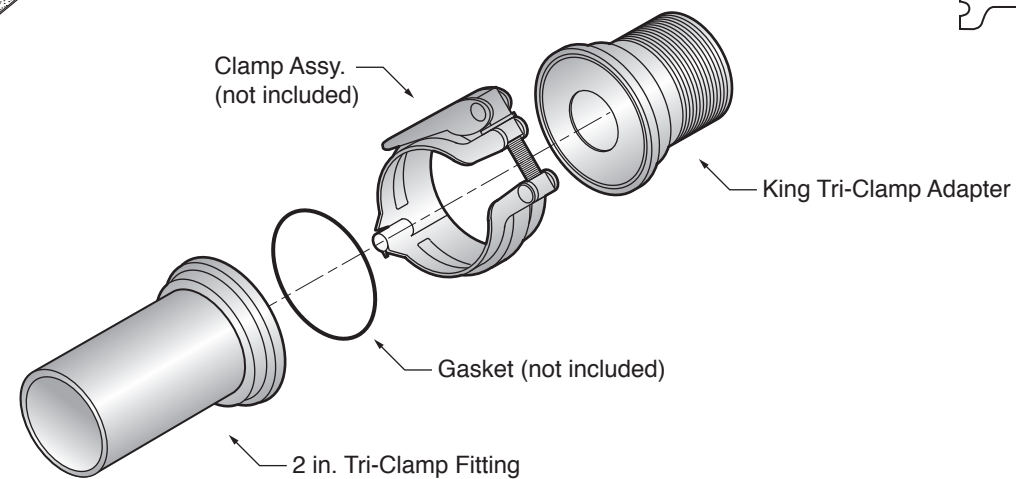


Part No. 1749-27 Standard



Part No. 1749-25 Short

Tri-Clamp Quick-Release Fitting Adapter

Part No. **1749-25** (short) Mates to 2 in. fitting; 316L stainless
1749-27 (std) Mates to 2 in. fitting; 316L stainless

Sensor adapter flange mates to typical 2" TRI-CLAMP® sanitary fitting. Gasket seal and quick-release clamp to be supplied by others.

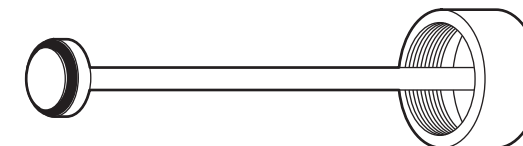
Fitting can be disconnected from mating flange without removing sensor (if installed). Use care when handling installed sensor—especially avoid striking diaphragm face.

Tri-Clamp Part No. 1749-25

Shell Seal Plug Assembly No. 2584-4 (short) can be used to cap end of adapter fitting when the level sensor has been removed or prior to sensor installation.

Tri-Clamp Part No. 1749-27

Shell Seal Plug Assembly No. 2584-3 (std) can be used to cap end of adapter fitting when the level sensor has been removed or prior to sensor installation.



INSTALLATION INSTRUCTIONS

Tri-Clamp Fitting Adapter for **KING-GAGE®** Level Sensors

			DATE	7/23/09
B	7/09	Redrawn	DRAWN BY	D. Kennedy
A	3/96	Released	APPROVED	



Box 1228, Ann Arbor, MI 48106-1228 U.S.A.
 Phone: 734-662-5691 • FAX: 734-662-6652

DWG. NO.
K-1060-1-1749

REV.
 SHEET **1** OF **1** **B**