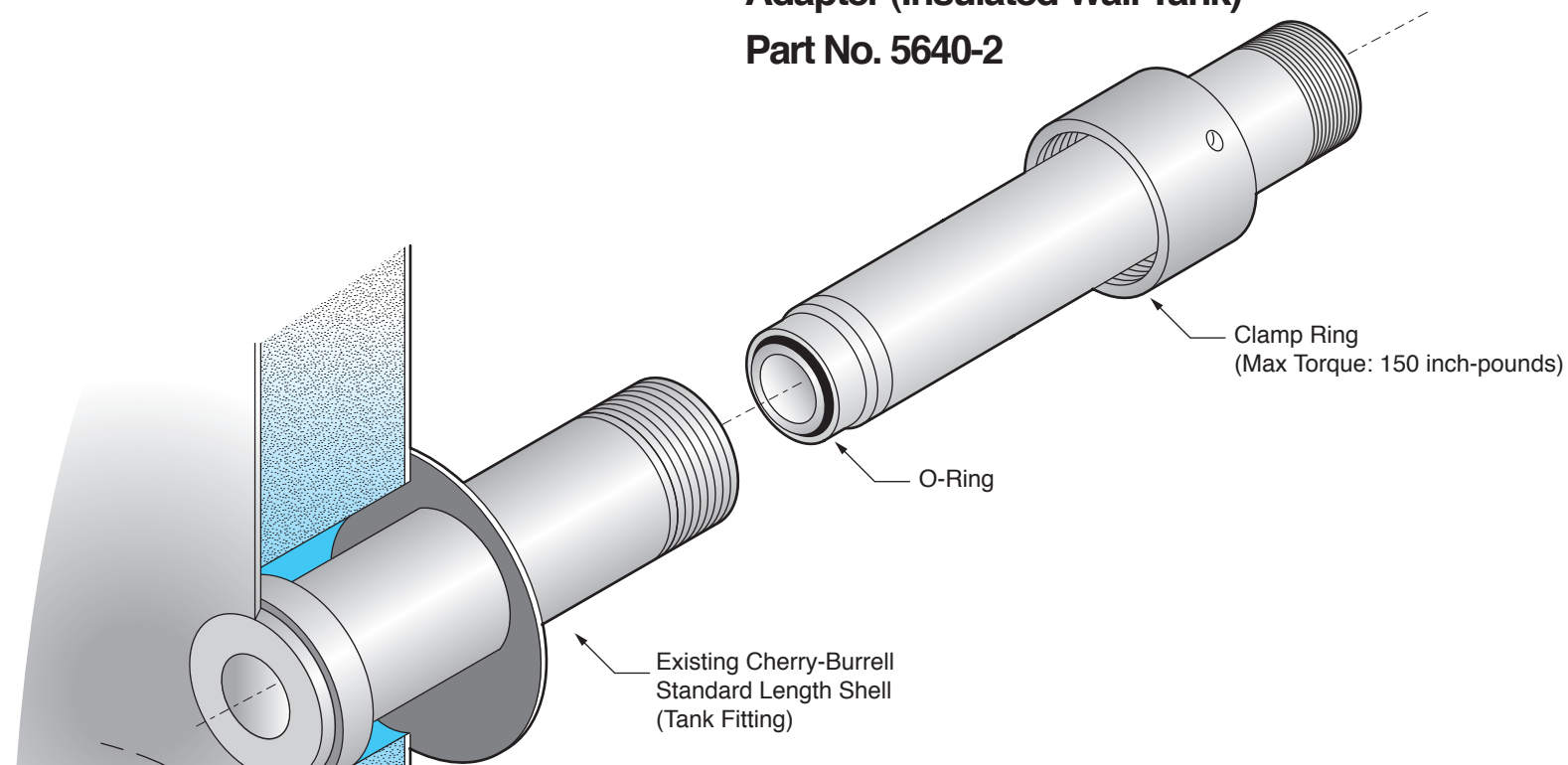
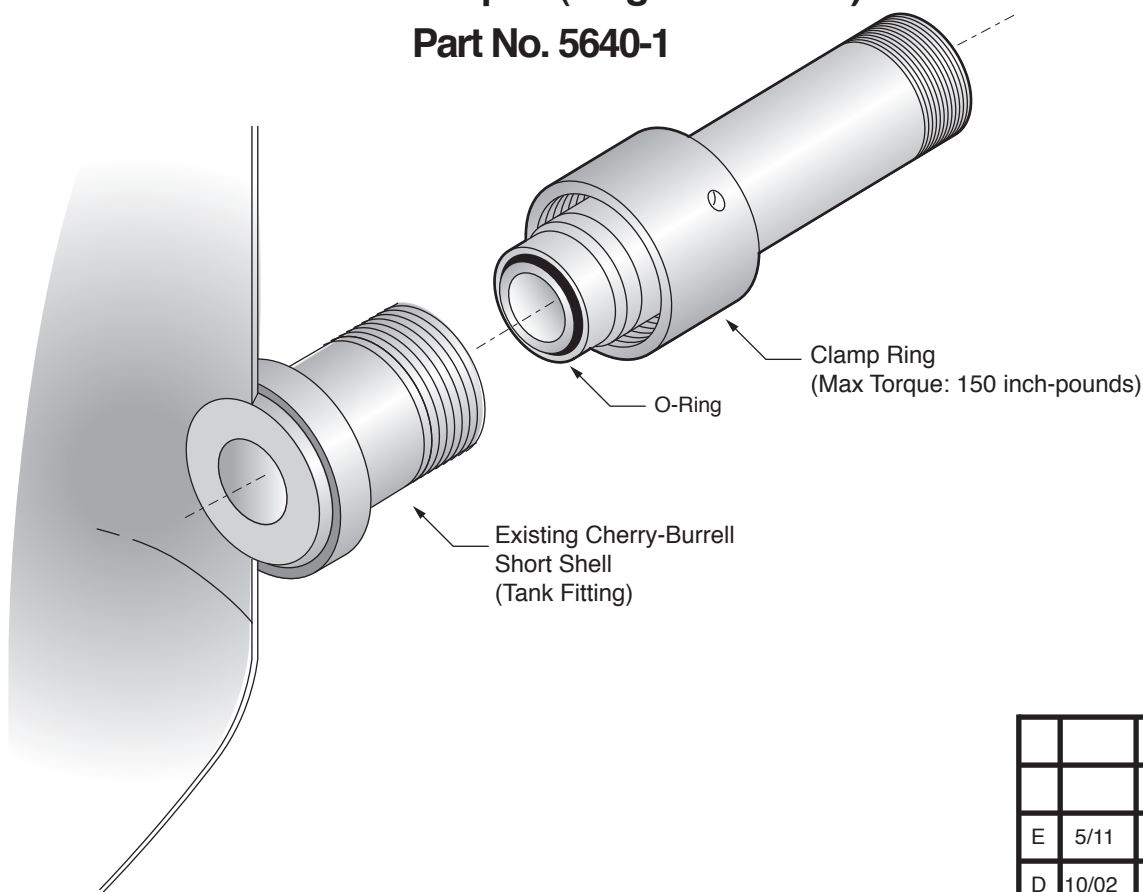


**Cherry-Burrell Standard Shell Adapter (Insulated Wall Tank)**  
Part No. 5640-2



**Cherry-Burrell Short Shell Adapter (Single Wall Tank)**  
Part No. 5640-1



**TANK SHELL ADAPTER INSERT**

The shell insert(s) illustrated are used to adapt existing tank fittings for KING-GAGE® sensors or transmitters. The shell adapter(s) shown on this instruction sheet permit the following conversion:

- *Cherry-Burrell LevelMatic (original) to KING-GAGE*
- *Anderson Instrument (using Cherry-Burrell shell) to KING-GAGE*

The complete adapter package supplied includes O-ring seal, clamp ring and spanner wrench.

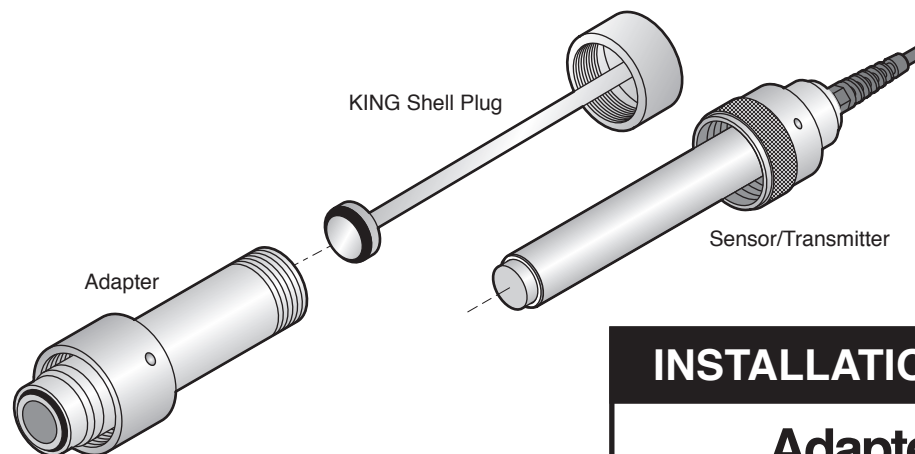
**INSTALLATION**

Before inserting adapter assembly, check existing shell that is welded to the tank. If the opening at the end of the shell into the tank is damaged or distorted (oval rather than round), the adapter insert may not properly seal.

1. Remove existing sensor (if applicable) and wipe inside surfaces of the shell so that it is clean and dry.
2. Make certain that O-ring seal is properly seated in the groove on the face of the adapter. Insert adapter into shell and hand tighten clamp ring.
3. Use the supplied spanner wrench and tighten the clamp ring an additional 1/4 turn or so to fully seat the insert.

**DO NOT EXCEED 150 IN.-LB. TORQUE**

DO NOT FILL TANK until a sensor or KING shell plug (p.n. 2584-3 "Standard" or p.n. 2584-6 "Long") has been installed.



**INSTALLATION INSTRUCTIONS**

**Adapter Insert for  
Cherry-Burrell Shell**  
5640-1 Short Shell Adapter  
5640-2 Standard Shell Adapter

			DATE	5/11/2011
E	5/11	Max torque limit	DRAWN BY	J. Gwls
D	10/02	Revised and redrawn	APPROVED	

**KING**  
ENGINEERING  
CORPORATION  
Box 1228, Ann Arbor, MI 48106-1228 U.S.A.  
Phone: 734-662-5691 • FAX: 734-662-6652

DWG. NO.  
**K-1060-1-402**

SHEET **1** OF **1**  
REV. **E**