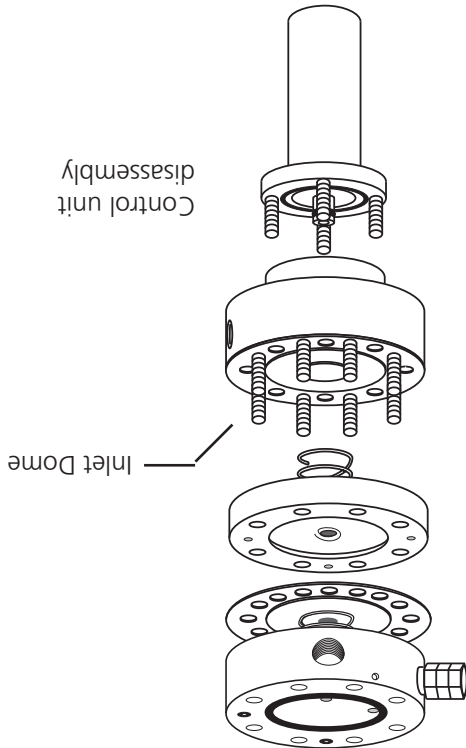


EX-1577

REPLACEMENT INSTRUCTIONS



EX-1577

REPLACEMENT INSTRUCTIONS

3201 South State St, Ann Arbor, Michigan 48108-1625 U.S.A.
 PO Box 1228, Ann Arbor, Michigan 48106-1228 U.S.A.
 Phone: (734) 662-5691 ■ FAX: (734) 662-6652
www.king-gage.com



Vent Generator Replacement Kit 7879-20

For 860-Series Sensor Controls

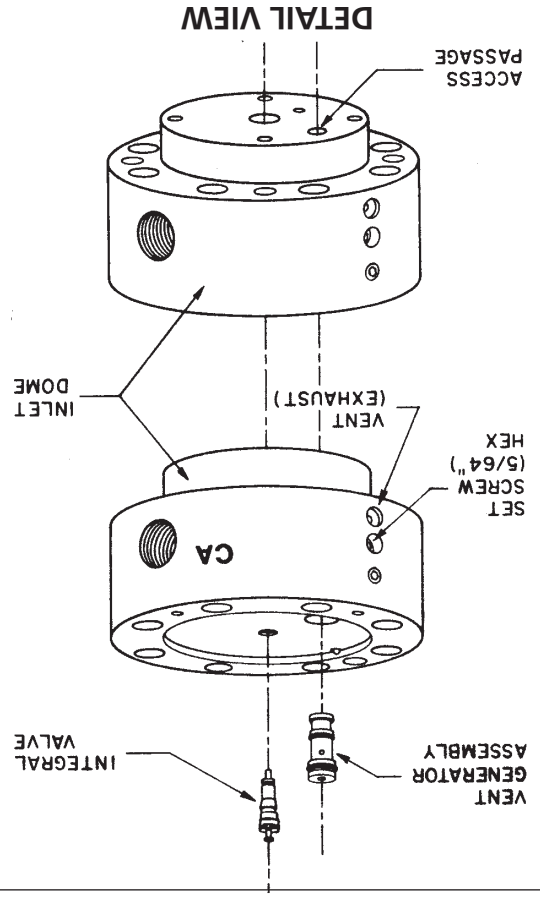
3201 South State St, Ann Arbor, Michigan 48108-1625 U.S.A.
 PO Box 1228, Ann Arbor, Michigan 48106-1228 U.S.A.
 Phone: (734) 662-5691 ■ FAX: (734) 662-6652
www.king-gage.com



Vent Generator Replacement Kit 7879-20

For 860-Series Sensor Controls

- Vent Generator Replacement**
1. Remove the various socket head screws from the underside of the control unit to disconnect the filter element and disassemble the inlet dome.
 2. Loosen set screw located on side of the Inlet Dome (see detail) using a 5/64-in. hex key.
 3. From the underside of the Inlet Dome, push the Vent Generator out of its pocket. (Access passage is shown in detail view.)
 4. Grease the O-rings on the Vent Generator (use a silicone lubricant) and insert into the pocket in the Inlet Dome.
 5. Press down lightly on the Vent Generator to fully seat it in the pocket. Tighten set screw to secure the Vent Generator.



- Vent Generator Replacement**
1. Remove the various socket head screws from the underside of the control unit to disconnect the filter element and disassemble the inlet dome.
 2. Loosen set screw located on side of the Inlet Dome (see detail) using a 5/64-in. hex key.
 3. From the underside of the Inlet Dome, push the Vent Generator out of its pocket. (Access passage is shown in detail view.)
 4. Grease the O-rings on the Vent Generator (use a silicone lubricant) and insert into the pocket in the Inlet Dome.
 5. Press down lightly on the Vent Generator to fully seat it in the pocket. Tighten set screw to secure the Vent Generator.

