

Sanitary Media Air Filters

Quick-Release Housing with Disposable Element

Sanitary media filters are intended for end-use applications involving compressed air in contact with dairy and food products. These filters are supplied with disposable media discs rated at 99.9% efficiency (DOP2 test method)*.

These filters are intended for use with air agitation systems, for drying product contact surfaces, or when incorporating air into dairy/food products. The disposable glass fiber filter disc element is housed within a stainless steel quick-release fitting.

Sanitary media filters can be used for applications with flow rates up to 120 SCFM @ 100 psig.

Disposable Filter Discs

Sanitary media discs are easily removed with the quick-release housing design. These filtering discs should be replaced on a frequent basis to maintain air cleanliness. Replacement discs are available in 20-count packs, carefully sealed to ensure they are free of contaminant until installed.

* Use with media conforming to "3-A Accepted Practices for Supplying Air Under Pressure in Contact with Milk, Milk Products and Product Contact Surfaces" (604-05).



Specifications

Rated Flow -

120 SCFM @ 100 psi
3400 L/min @ 7 kg/cm²
200 m³/hr @ 7 bar

Connections (Inlet/Outlet) -

See pages 2 & 3

Rating

0.3 micron

Temperature Rating -

Up to 200°F/93°C

Efficiency -

99.9% (DOP test method)

Physical Data -

Housing - 304 S.S.
Weight - 5 lbs.

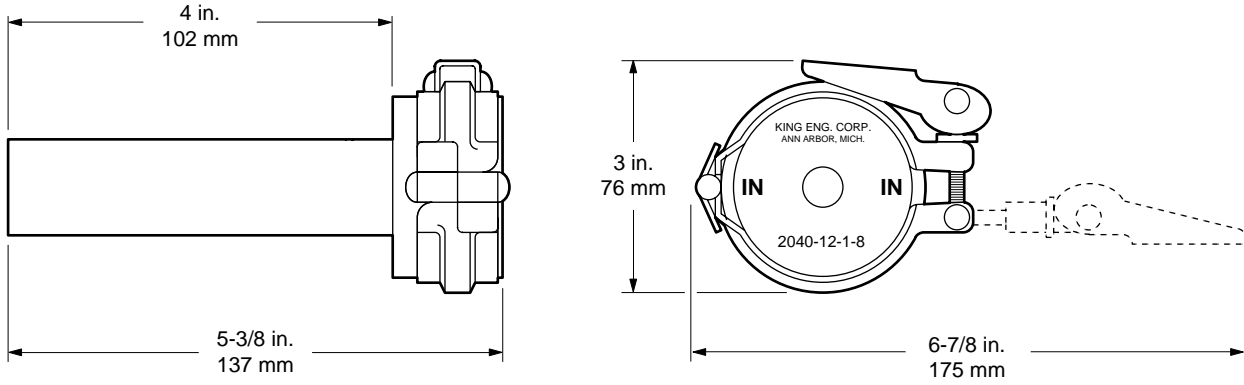


Since 1937

Marsh Bellofram Group of Companies

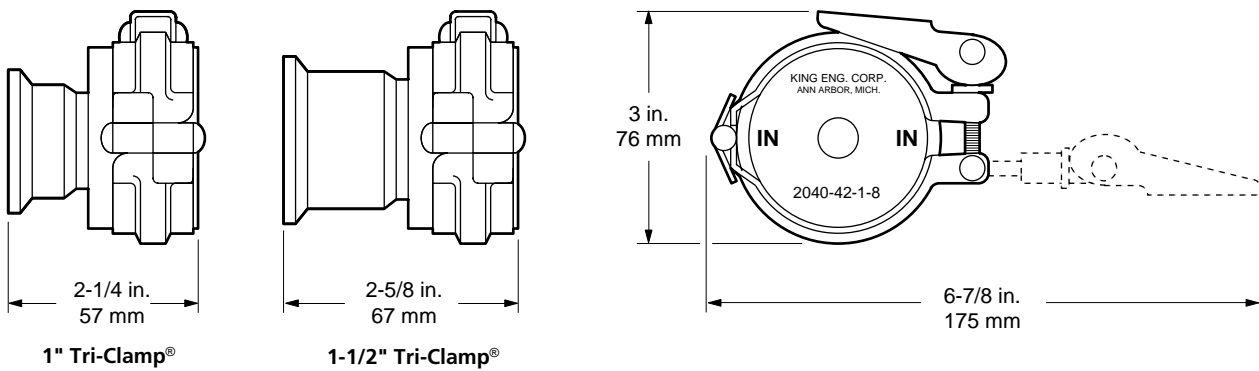
8019 Ohio River Blvd. Newell, WV 26050 U.S.A.
304-387-1200 ■ 800-242-8871 ■ Fax: 304-387-4417

marshbellofram.com ■ king-gage.com



Sanitary Tubing Stub (4" Length)

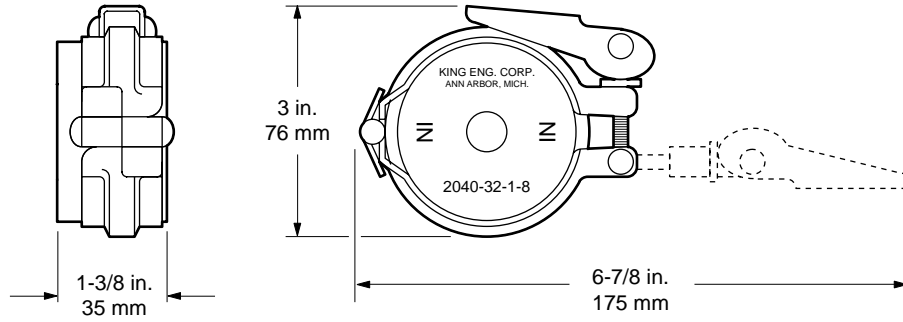
Outlet	Inlet	Part Number	Shipping Weight
1"	1/4" NPT	2040-12-1-8	5 lbs.
1"	1/2" NPT	2040-14-1-8	5 lbs.
1-1/2"	1/4" NPT	2040-12-1-12	5 lbs.
1-1/2"	1/2" NPT	2040-14-1-12	5 lbs.



Tri-Clamp® Outlet

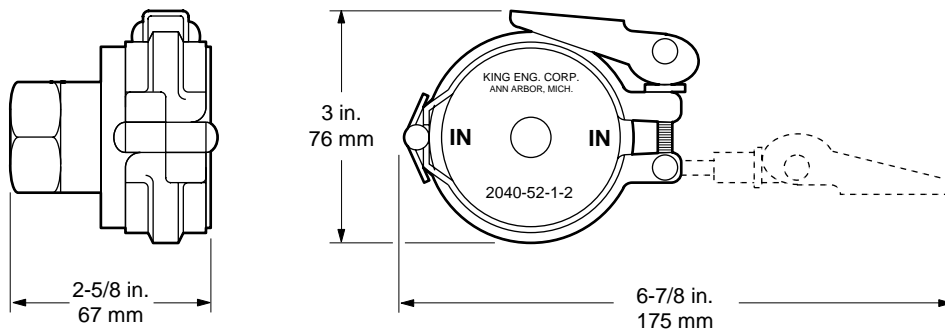
Outlet	Inlet	Part Number	Shipping Weight
1"	1/4" NPT	2040-42-1-8	5 lbs.
1"	1/2" NPT	2040-44-1-8	5 lbs.
1-1/2"	1/4" NPT	2040-42-1-12	5 lbs.
1-1/2"	1/2" NPT	2040-44-1-12	5 lbs.

© Registered Trademark of Tri-Clover, Inc.



Expansion or Welded Joint Outlet

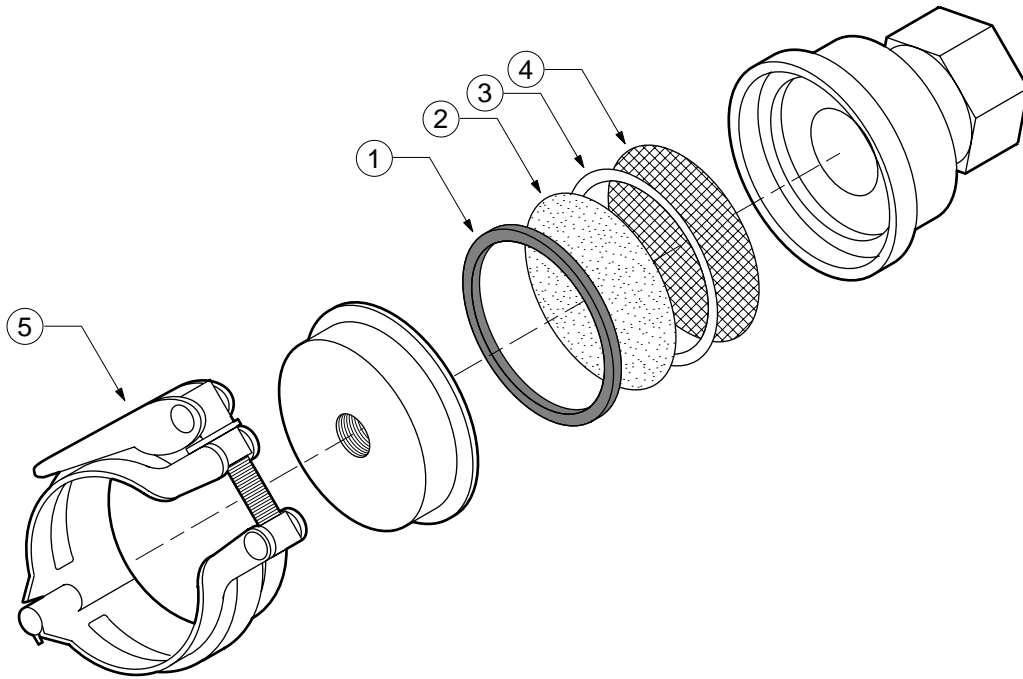
Outlet	Inlet	Part Number	Shipping Weight
1"	1/4" NPT	2040-32-1-8	5 lbs.
1"	1/2" NPT	2040-34-1-8	5 lbs.
1-1/2"	1/4" NPT	2040-32-1-12	5 lbs.
1-1/2"	1/2" NPT	2040-34-1-12	5 lbs.



NPT Threaded Outlet

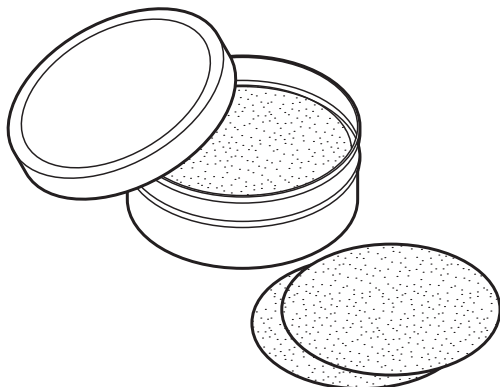
Outlet	Inlet	Part Number	Shipping Weight
1/4"	1/4" NPT	2040-52-1-2	5 lbs.
1/2"	1/2" NPT	2040-54-1-4	5 lbs.

NPT do not meet requirements for sanitary outlet connections.



Service Parts

Item	Description	Part No.	Qty.
1	Gasket	1775RA-43	1
2	Filter Discs (package of 20)	2050-1	1
3	Nylon Shim Washer	2045-2	1
4	Stainless Steel Screen	9323-51	1
5	Quick Release Clamp	2042-16	1



Disposable Media Discs

Sanitary media discs are easily removed with the quick-release housing design. These filtering discs should be replaced on a frequent basis to maintain air cleanliness. Replacement discs are available in 20-count packs, carefully sealed to ensure they are free of contaminant until installed.

© KING-GAGE and the KE emblem are registered trademarks of ATC King Engineering, Newell WV, U.S.A.

All specifications subject to change without notice.

Effective : Feb 2012 6000-120



King Engineering also manufactures a complete line of compressed air coalescing filters and dryers. For more information, request Catalog 6000.