

# Service Parts & Dimensions – 1010-10.50

Effective: May, 2009 (replaces February, 1998)

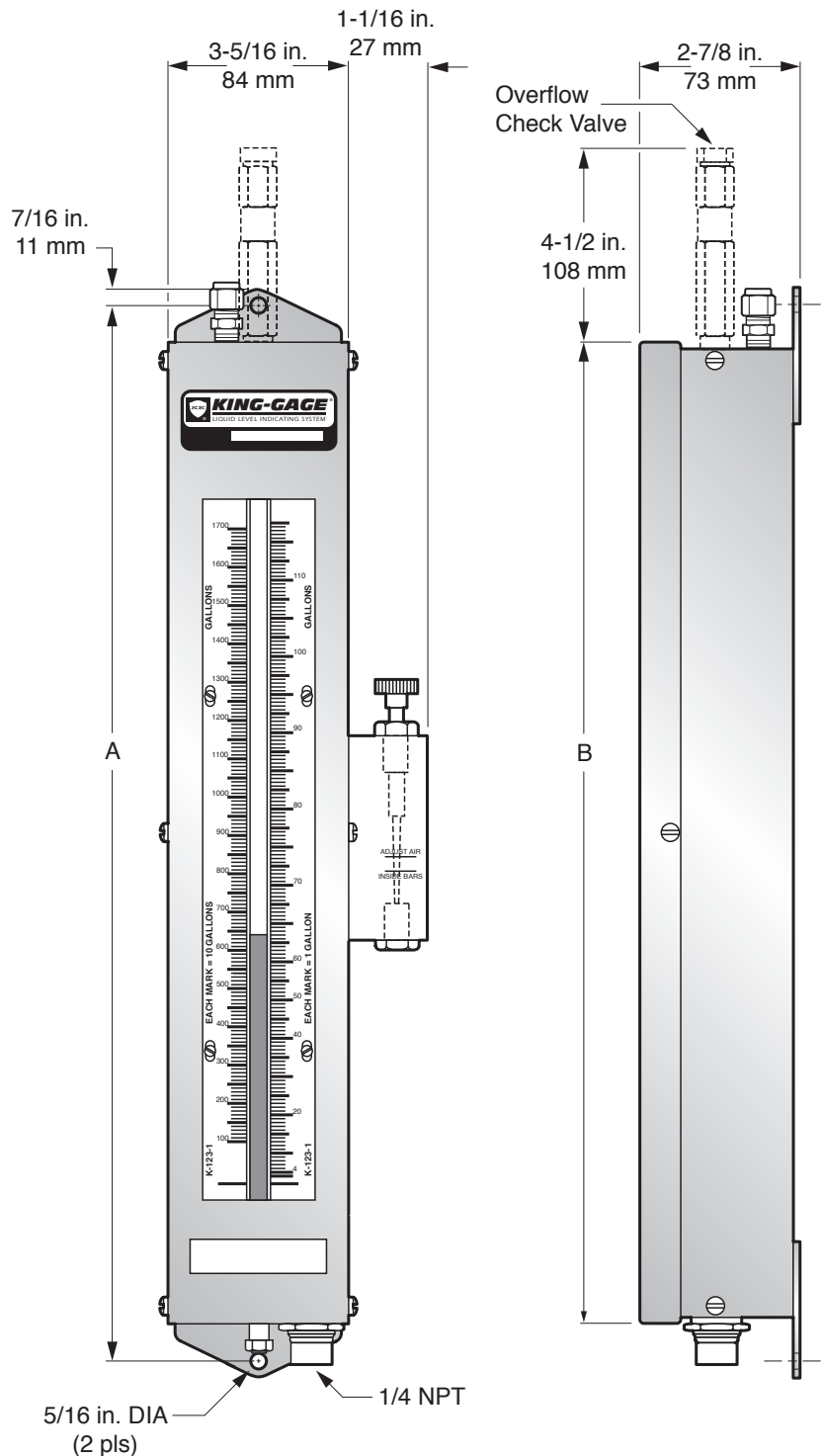
## Model 5993 Tank Level Indicator w/ Rotameter

### Specifications – Model 5993 Pneumatic Column Display

- **Operating Principle**  
Well-type manometer acts as a frictionless hydrostatic force-balance. A liquid fill is raised in direct proportion to the magnitude of pressure applied. (Varies based on type of indicating liquid employed.)
- **Resolution**  
Infinite based on type of indicating liquid employed.
- **Input Connection(s)**  
1/4" NPT tapped connection for typical tube fittings. Accepts pneumatic air/gas pressure input; high and low pressure inputs.
- **Materials of Construction**  
Formed channel indicator housing; brushed stainless steel (type 304). Heavy plate glass window; acrylic plastic window available as special order.
- **Wetted Parts**  
316 stainless steel liquid well and tubing.
- **Indicating Tube**  
High strength, fully annealed glass (Pyrex®)
- **KING-GAGE indicator**  
Single display tube. Available in wall mount housing only.  
**Scale Ranges: 20", 35", 43", 51", 66", 81"**

### Dimensions by Indicator Range (inches)

Range	Dim. "A"	Dim. "B"
20	26-1/4	25-3/8
35	42-1/4	41-3/8
43	50-1/4	49-3/8
51	58-1/4	57-3/8
66	74-1/4	73-3/8
81	90-1/4	89-3/8



P. O. Box 1228, Ann Arbor, Michigan 48106-1228 U.S.A.  
3201 South State Street, Ann Arbor, Michigan 48108-1625 U.S.A.

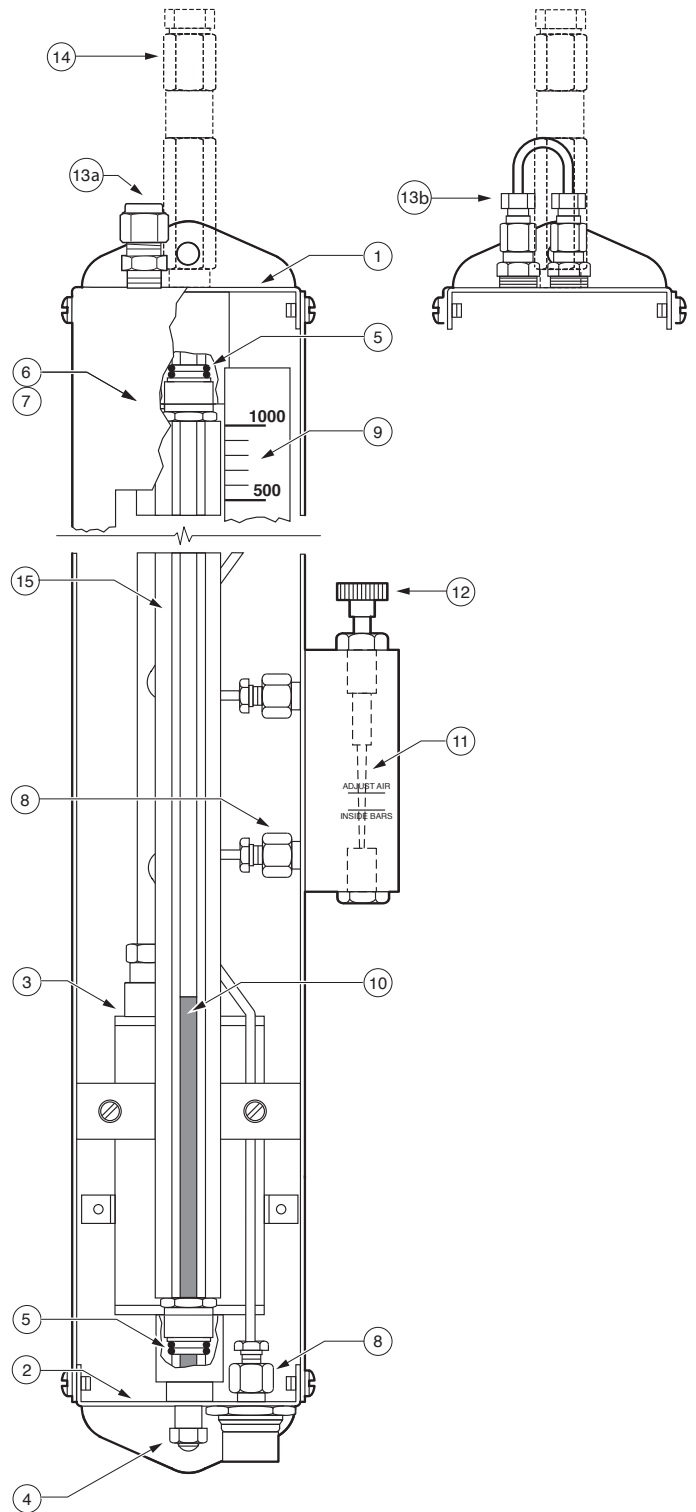
Phone: (734) 662-5691 ■ FAX: (734) 662-6652 ■ www.king-gage.com

**Model 5993 Service Parts:**

Item	Description	Part No.	Qty.	Notes
1	Top Plate.....	5143F-2.....	1.....	2
	Top Plate.....	5143S-2.....	1.....	2
2	Bottom Plate.....	5142F-2.....	1.....	2
	Bottom Plate.....	5142S-2.....	1.....	2
3	Gage Repl. Well.....	7754-20, -35.....	1.....	1
		7755-43, -51, -66.....	1.....	1
		7756-81.....	1.....	1
	(includes: gage well fab., drain plug, nylon washer, pressure tube, & well conn. nut)			
4	Drain Plug.....	7560.....	1	
	(included with item 3)			
	Drain Plug Washer.....	8806.....	1	
	(included with item 3)			
5	Glass Tube Repl. Kit.....	5159-x.....	1.....	2
	(includes glass tube, packing washers & o-rings)			
	Glass Tube Packing Seal Kit... 5181-1.....	1.....		
	(includes o-rings, packing washers & well conn. nut)			
6	Front Cover Assembly.....	8815F-x.....	1.....	1,2
	Front Cover Assembly.....	8815S-x.....	1.....	1,2
7	Glass & Molding Assy.....	8866-x.....	1.....	1
	(included with item 8)			
8	High-Duty Tube Fitting.....	6706-1NP.....	4	
9	Replacement Scale			
	1-Unit Scale.....	7083-x.....	1.....	5
	2-Unit Scales.....	7084-x.....	1.....	5
10	Replacement Liquid			
	Red, No. 294.....	2992-x.....	1.....	3
	Purple, No. 175.....	9175-x.....	1.....	3
	Mercury.....	2604-3-1.....	1.....	4
11	Rotameter Assembly.....	8778.....	1	
12	Valve Insert Assembly.....	6995.....	1	
	(included with item 11)			
	Float.....	6614-2.....	1	
	(included with item 11)			
13a	Swagelok Fitting.....	8437B-23.....	1	
13b	Repl. Top Fitting.....	5161-2.....	1	
	(includes: conn. tube, high-duty fittings, pipe bushing, pipe tee, & pipe nipple)			
14	Check Valve.....	8838.....	1	
15	Reflector.....	7761-x.....	1.....	1

**Notes:**

1. Dash number indicates range.
2. (F) indicates painted steel, (S) indicates stainless steel.
3. Dash number indicates bottle size (8 or 16 oz. bottles only).
4. Sold by weight (1 lb. bottles only).
5. When ordering a replacement scale, the following information must be supplied:
  - Tank Designation
  - Unit(s) of measurement
  - Scale serial number
  - Specific gravity, product density, etc.



© King-Gage and the KE emblem are registered trademarks of King Engineering Corporation, Ann Arbor, Michigan, U.S.A.

All specifications are subject to change without notice

© 2009 King Engineering Corporation. All rights reserved