

Service Parts & Dimensions – 1050-1.15

Effective: April 2012 (replaces July, 2007)

Model 738 D/P LiquiSeal Control

Part Number Reference:

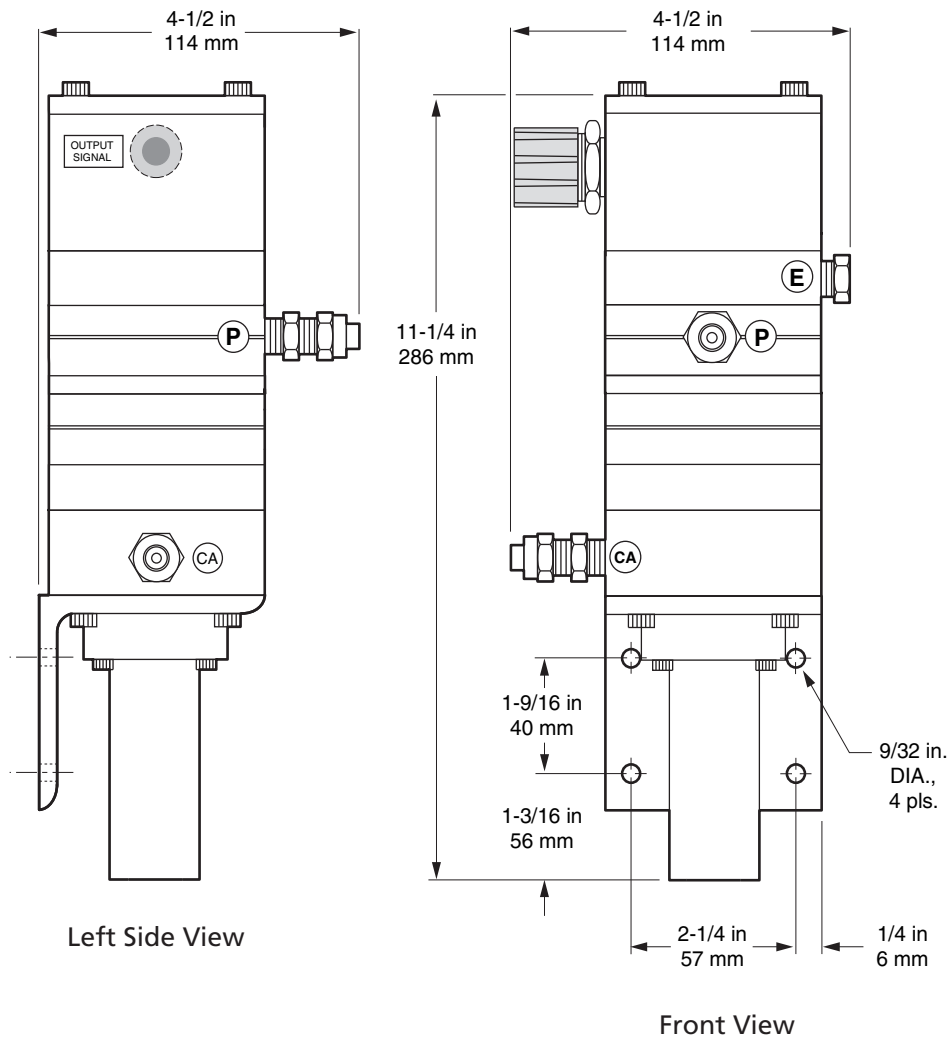
738 - 918 - 1 8

Fittings:
1 - none
3 - Polyflo
4 - Swagelok

D/P Nominal Range:
0 - 5 psid
1 - 10 psid
2 - 15 psid
3 - 30 psid
4 - 50 psid

Fitting Reference:

P..... Air Purge
CA..... Compressed Air
E..... Equalizer Reference

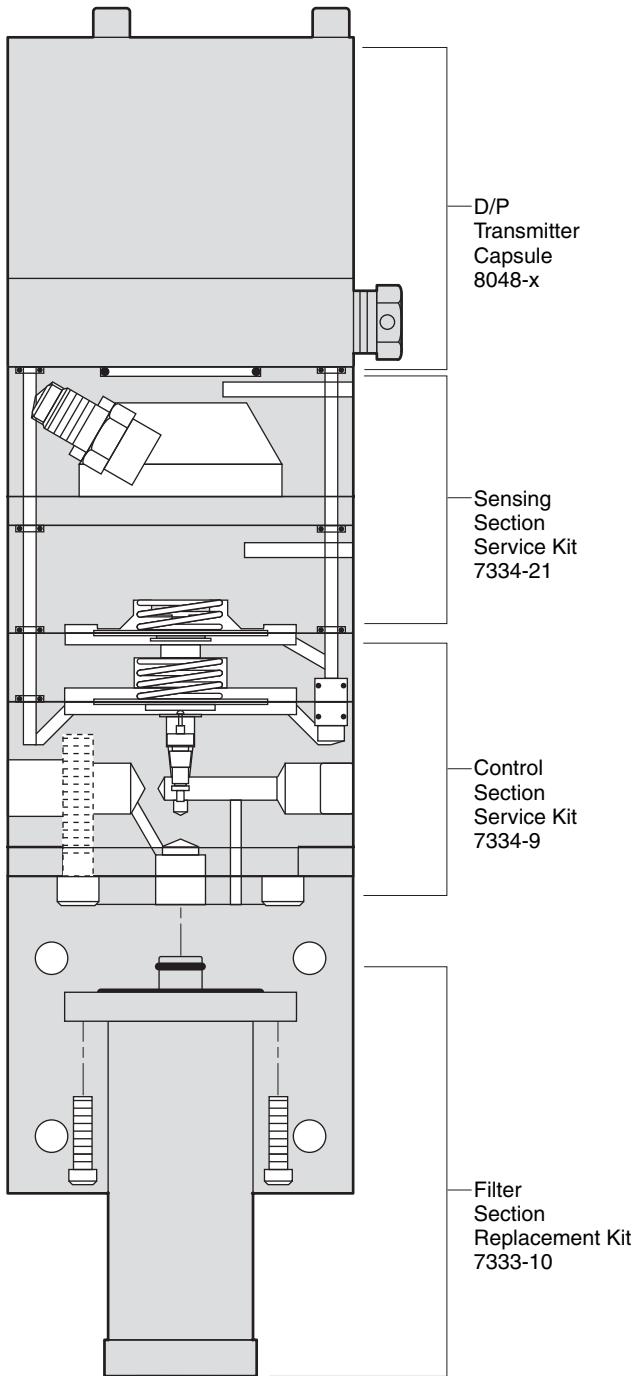


Since 1937

Marsh Bellofram Group of Companies

8019 Ohio River Blvd. Newell, WV 26050 U.S.A.
304-387-1200 ■ 800-242-8871 ■ Fax: 304-387-4417

marshbellofram.com ■ king-gage.com



Sensing Section Service Kit 7334-21

| Description | Part No. | Qty. |
|---------------------------|----------------|------|
| Teflon Gasket..... | 6438-3 | 1 |
| O-Ring (large)..... | 6495-407 | 1 |
| O-Ring (small) | 6495-559 | 6 |
| Diaphragm, Titanium | 6448-22 | 1 |
| Orifice Check Valve | 7366-1 | 1 |

Control Section Service Kit 7334-9

| Description | Part No. | Qty. |
|----------------------------|----------------|------|
| Replacement Valve Kit..... | 3257-1 | 1 |
| Orifice Assembly..... | 4527-2 | 1 |
| Diaphragm Assembly | 4508-6 | 1 |
| Spring (long)..... | 6927-7 | 1 |
| Diaphragm Assembly | 4508-7 | 1 |
| (w/ rubber seat) | | |
| Spring (short)..... | 6927-6 | 1 |
| O-Ring..... | 6495-559 | 5 |

Filter Section Replacement Kit 7333-10

| Description | Part No. | Qty. |
|------------------------|---------------|------|
| Filter w/ O-Rings..... | 7333-10 | 1 |

© King-Gage and the KE emblem are registered trademarks of King Engineering, Newell WV, U.S.A.

All specifications are subject to change without notice

© 2007 ATC King Engineering Division. All rights reserved