



Service Parts & Dimensions

6000-350.00

Effective: February, 1998 (replaces April, 1993)

350/500 SCFM Triple-Guard Filters

Model Numbers/Rated Flow

2420-3

350 SCFM @ 100 psig
9910 L/min @ 7 kg/cm²
595 m³/hr @ 7 bar

2421-3

500 SCFM @ 100 psig
14158 L/min @ 7 kg/cm²
850 m³/hr @ 7 bar

Connections

3" flange
(150 Class ANSI)

Max. Pressure

250 psi max.

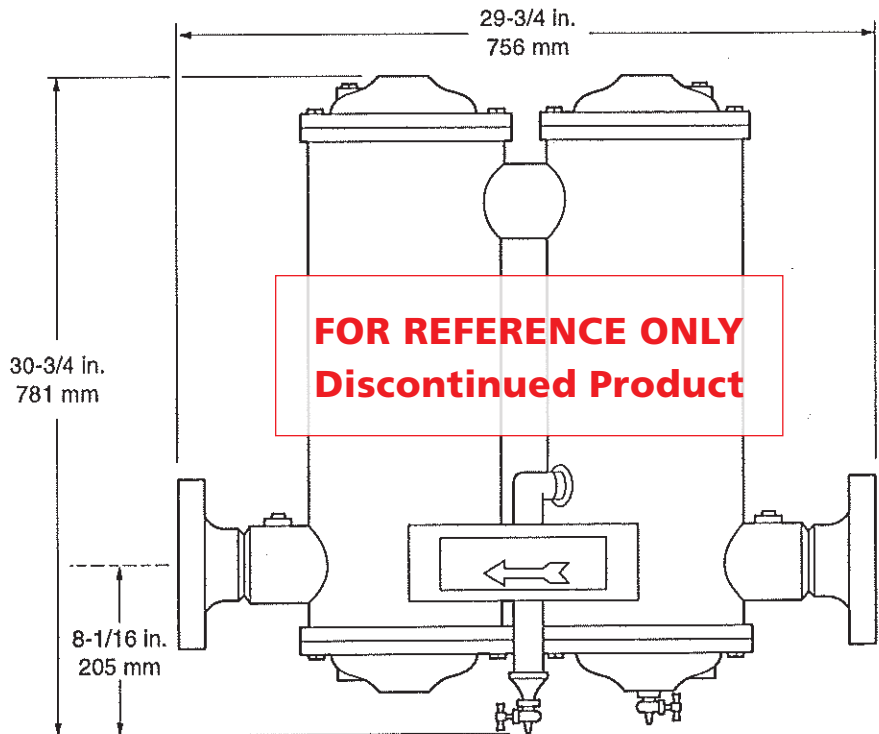
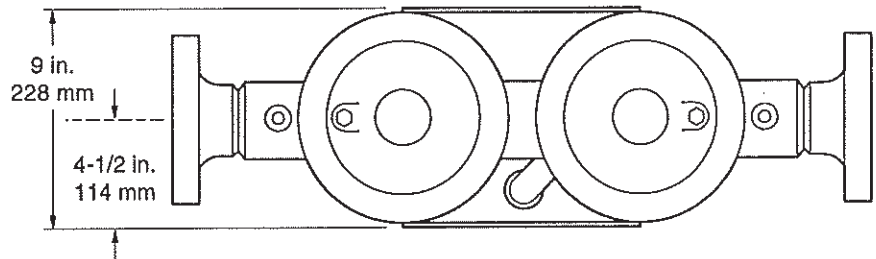
Physical Data

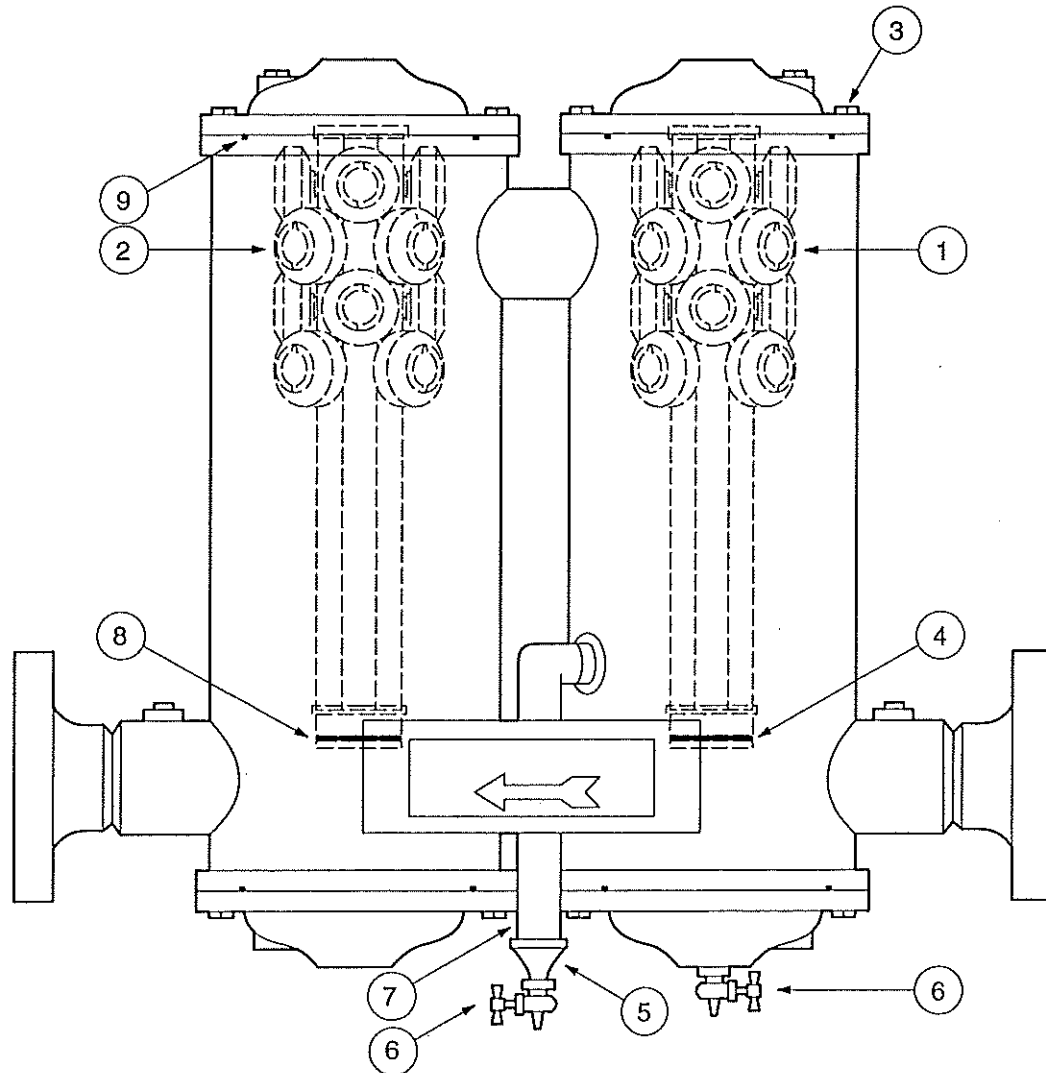
Housing - Carbon Steel
Weight - 250 lbs.

Discontinued Models

2420-1 (350 SCFM)
2420-8 (350 SCFM)
2421-1 (500 SCFM)
2421-8 (500 SCFM)

Replacement items listed
on reverse side apply to
above models.





Item	Description	Part No.	Qty.
1	Scrubber Cartridge Assy.	See Chart	1
2	Polisher Cartridge Assy.	See Chart	1
3	3/8"-16 Hex Nut8763-9	9763-9	32
4	O-Ring (note 1)	9316-6	1
5	Reducing Coupling	6178-13CP	1
6	Drain Valve	9509-12	2
7	Nipple	6173-44	1
8	O-Ring (note 2)	9316-4	1
9	O-Ring (note 3)	9316-39	4

(2nd Stage) Scrubber Cartridges

Cartridge Type	350 SCFM	500 SCFM
100	2422-16-4	2422-24-4
300	2422-16-1	2422-24-1

(3rd Stage) Polisher Cartridges

Cartridge Type	350 SCFM	500 SCFM
100	2424-20-4	2424-28-4
300	2424-20-1	2424-28-1

Notes:

1. Included as part of item 1 replacement assembly.
2. Included as part of item 2 replacement assembly.
3. Used with upper and lower cover plates.