



Effective: February, 1998 (replaces January, 1993)

Non-Relieving Type Pressure Regulators

Designed for use where equipment consumes air, these regulators do not incorporate internal relief for bleeding off downstream pressure. Regulator housing is solid brass with a durable urethane finish.

Differential pressure regulator is designed to maintain a constant pressure drop. Used in constant flow applications.

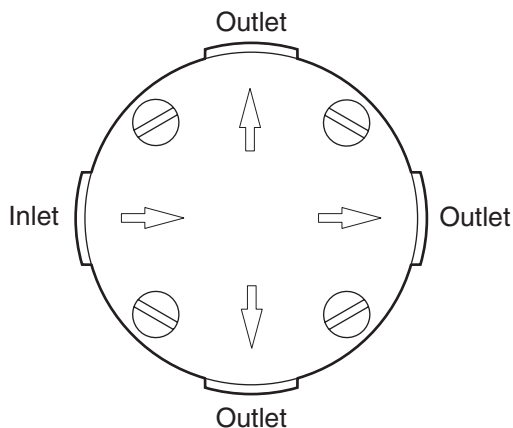
Models:

- Regulator Model 7840-1 (standard)
- Regulator Model 7848-1 (tamper-proof)
- Regulator w/Gauge Model 7842-1 (standard)
- Regulator w/ Gauge Model 7849-1 (tamper-proof)
- Differential Regulator Model 7846 (tamper-proof)

Max. Pressure: 150 psig

Connections

All models have three (3) outlet ports permitting right-angle service; pipe plugs are furnished to seal unused ports. Mounting bracket is furnished unassembled. Regulator may be mounted with adjustment knob at top or bottom.



Porting Arrangement (all models)

To Install Bracket

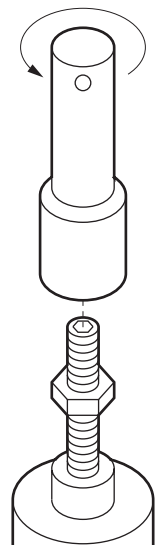
Remove two (2) screws from regulator housing and re-insert to secure bracket to regulator. See service parts illustration on reverse side, items 7 & 8.

Pressure Setting Adjustment (standard models) -

On standard model, loosen locknut on adjustment stem. Turn knob clockwise (CW) to increase pressure setting, or counter-clockwise (CCW) to decrease pressure setting. See service parts illustration on reverse side, items 2 & 4.

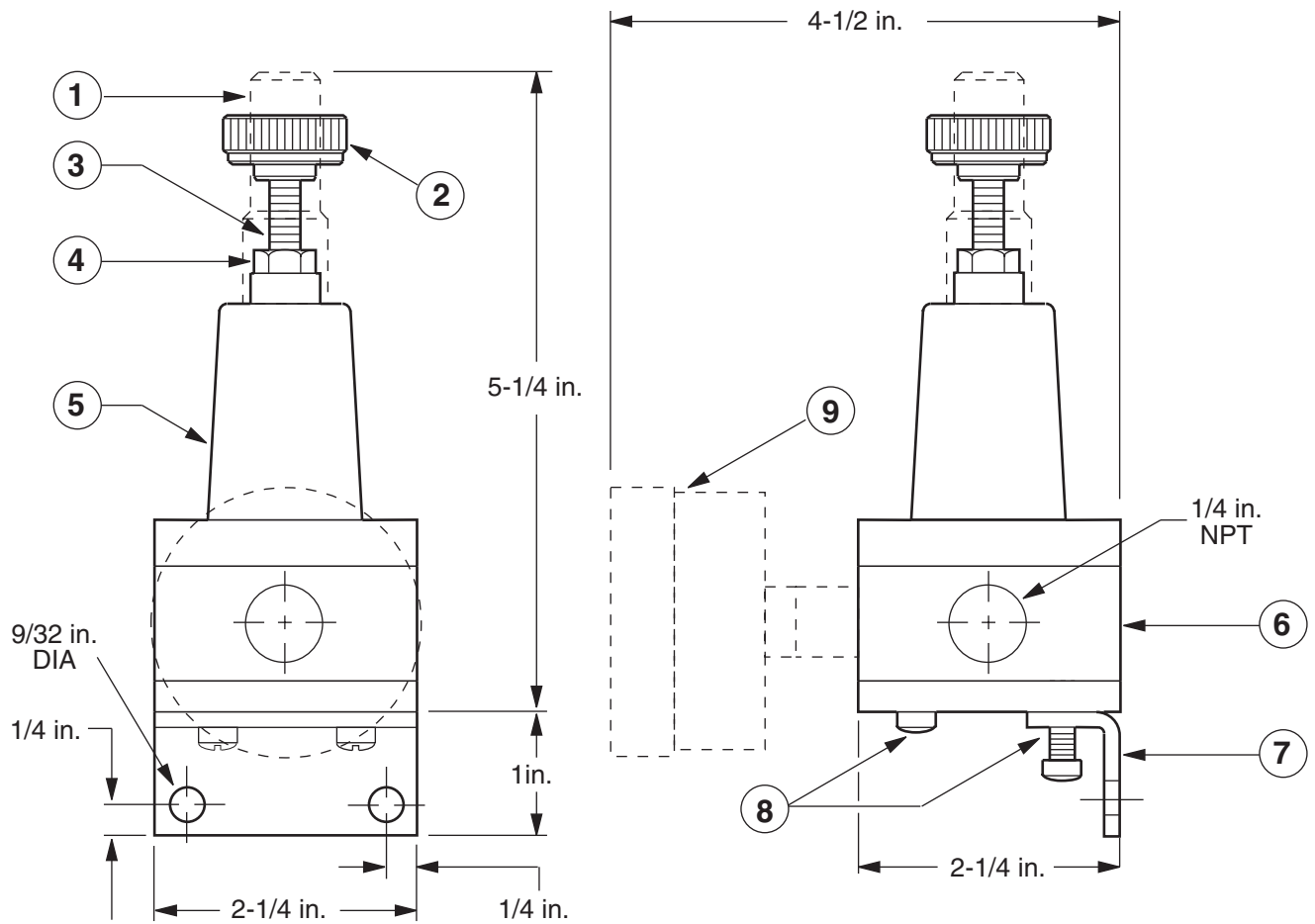
Pressure Setting Adjustment (tamper-proof)

Unthread "tamper-proof" cap to remove and loosen locknut on adjustment stem. Use 1/8 in. hex key to turn adjustment stem. See service parts illustration on reverse side, items 1, 3, & 4.



**FOR REFERENCE ONLY
Discontinued Product**

Service Parts and Dimensions



| Item | Part No. | Description |
|------|------------|---|
| 1 | 7328-2 | Tamper-proof Cap |
| 2 | 7834 | Knob & Screw Assembly |
| 3 | 4579-4 | Adjustment Screw |
| 4 | 4581 | Locknut |
| 5 | xxxx | Bonnet (includes; Spring Retainer (p/n 4578), Adjustment Spring (p/n 2021-21-2) and Diaphragm (p/n 4508-8*)) |
| 6 | xxxx | Body (includes; Valve Assembly (p/n 7498-2*, short or 7498-3*, long), Spring (p/n 2021-4*), O-Ring (p/n 6495-407*), and Bottom Plate. |
| 7 | 7624-28 NP | Mounting Bracket |
| 8 | 4528-2 | Mounting Screws, qty. 4 |
| 9 | 6504-53 | Pressure Gage (0-160 PSI) |
| 10 | 3062-104 | 1/4" Pipe Plug (not shown) |
| 11 | 7851 | Non-Relieving Type Pressure Regulator Service Kit (not shown) |

* Part of p/n 7851 Service Kit