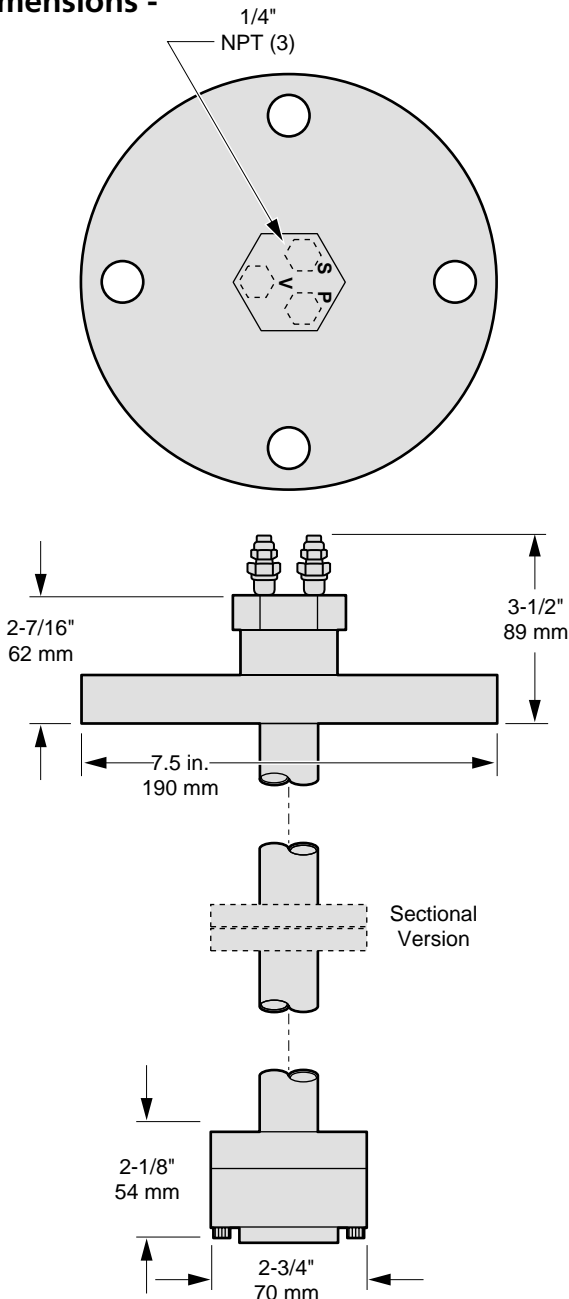


Service Parts & Dimensions – 1010-24.12

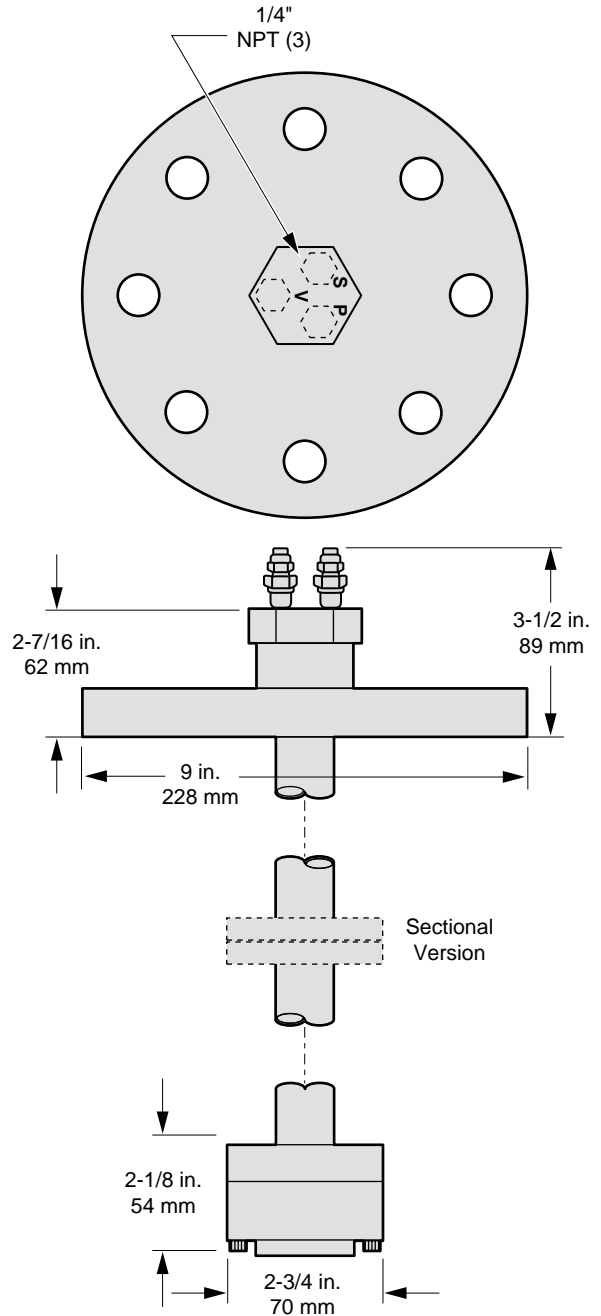
Effective: January, 2000

Internal TeleSensor Diaphragm Unit Top/ Side Mounting - Base No.'s 5373 & 5374

Dimensions -



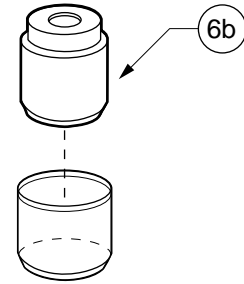
**Base No. 5373
(3" Flange)**



**Base No. 5374
(4" Flange)**

Service Parts - Base No. 5373 and 5374

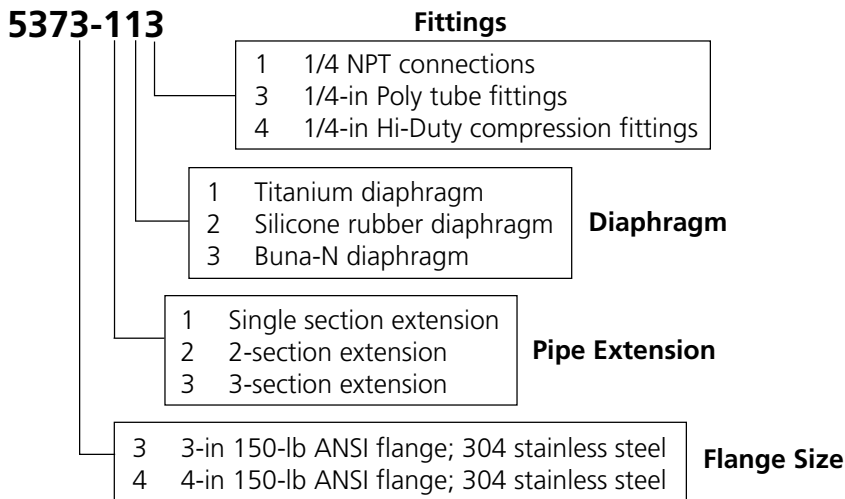
Item	Part No.	Description	Qty.	Notes
1	1747-212	O-ring	1	
2	1747-7	O-ring (Viton)	2	
3	3029S-6	Socket Hd screw (#10-32 x 0.75 in)	4	A
4	1747-27	O-ring (Viton)	2	A
5	3038	Belleville spring washer	2	
6	7856-3	Titanium diaphragm assy. with O-ring	1	B
6b	7899-3	Diaphragm body	1	C
	6448-12	Silicone diaphragm	1	C
	6448-23	Buna-N diaphragm	1	C
7	1747-40	O-ring (Viton)	1	B
8	2515-7	Spring Lockwasher	8	
9	3029S-10	Socket hd screw (#10-32 x 1.25 in)	4	

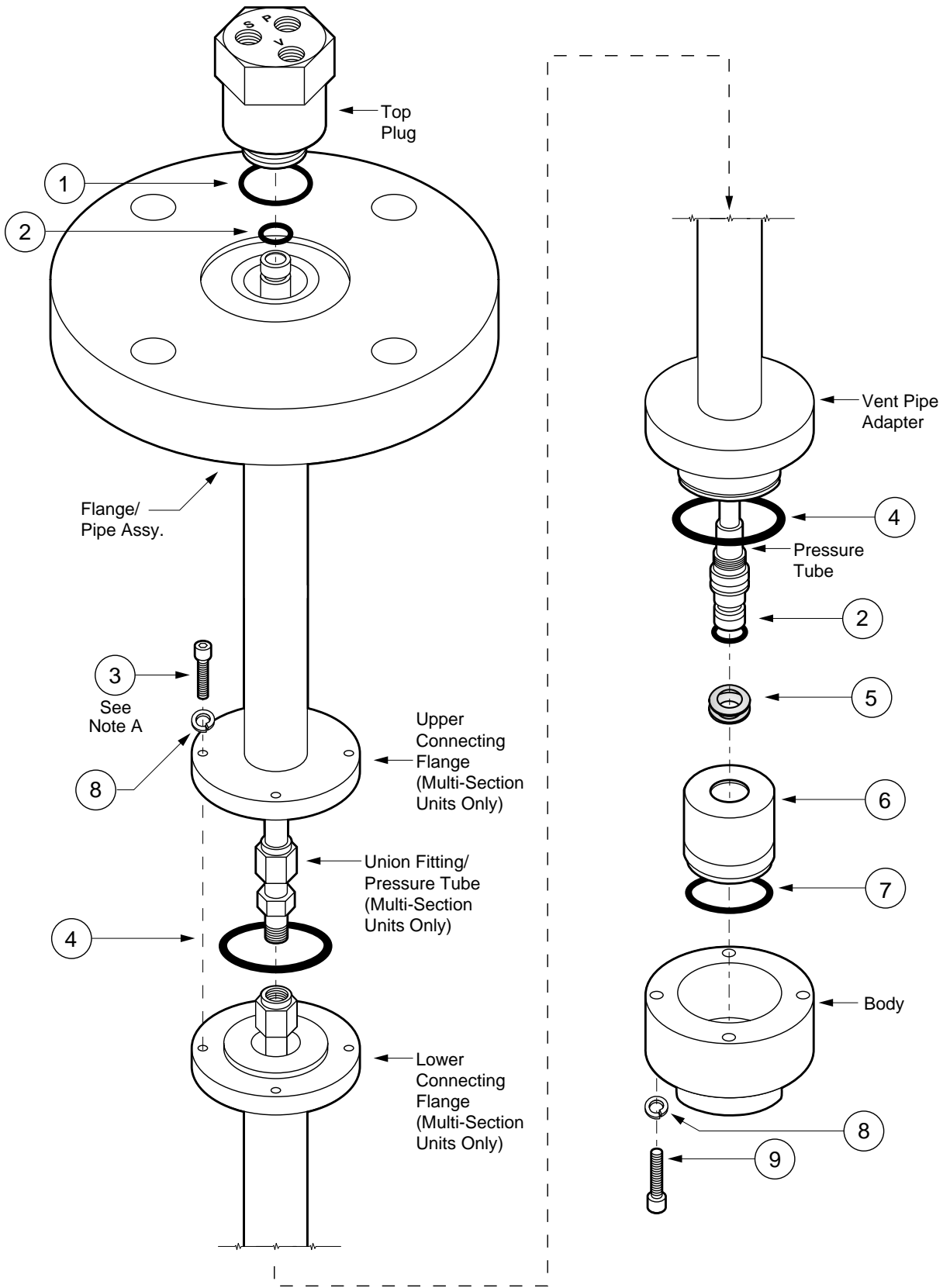


Notes:

- A. Multi-section units require (4) screws; Item 3, (1) O-ring; Item 4, and (4) Lockwashers; Item 8 per connecting flange.
- B. Titanium diaphragm assy includes O-ring; Item 7.
- C. Units with Silicone rubber or Buna-N diaphragm are used in combination with diaphragm body; Item 6b.

Part Number Key -





This page intentionally left blank

© King-Gage and the KE emblem are registered trademarks of King Engineering Corporation, Ann Arbor, Michigan, U.S.A.

All specifications are subject to change without notice

© 2000 King Engineering Corporation. All rights reserved